



# Owner's Manual

## Dri-Eaz<sup>®</sup> Building Dryer BD1000

F435-DV (110–230V UK)

Legend Brands Holdings, Ltd.

22 Plover Close, Interchange Park, Newport Pagnell, MK16 9PS

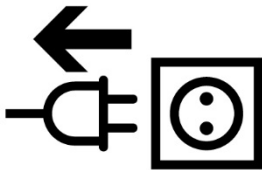
Tel: +44 (0)1908-611-211 Fax: +44 (0)1908-611-363 [www.dri-eaz.co.uk](http://www.dri-eaz.co.uk)



**WARNING: Read and understand these warnings and instructions.**

**DO NOT** operate the unit with covers open or removed.

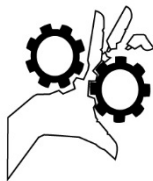
**WARNING: Do not alter or modify your BD1000 in any way. Use only replacement parts authorized by Dri-Eaz Products. Modifications or use of unapproved parts could create a hazard and will void your warranty. Contact your authorized Dri-Eaz distributor for assistance.**



**WARNING:**  
Unplug before servicing.



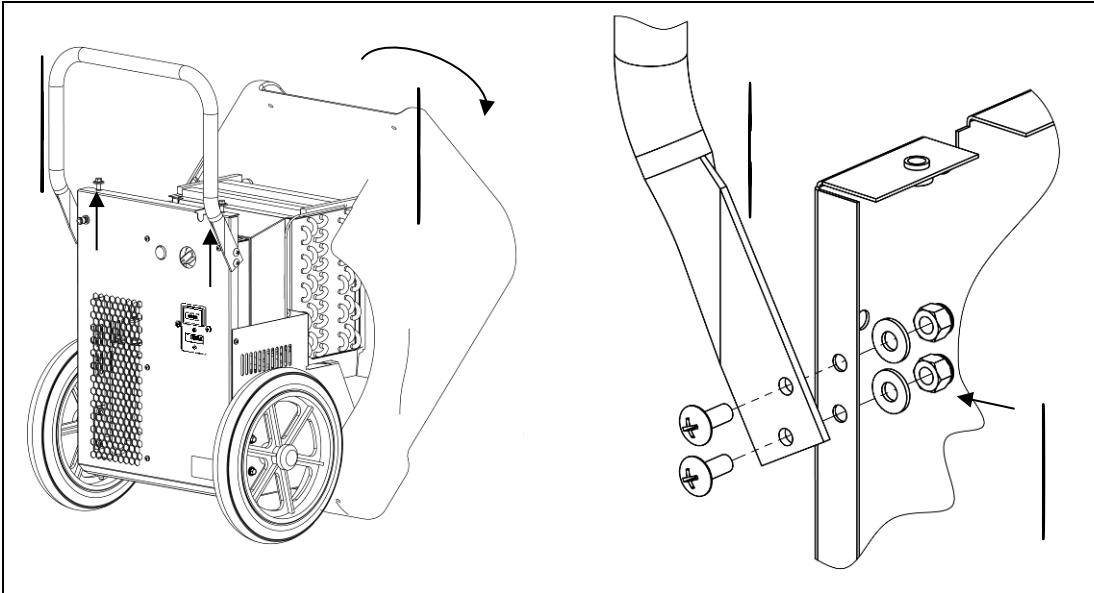
**WARNING: ELECTRIC SHOCK HAZARD**  
Unplug before opening cover.  
Use with a residual current device (RCD) where possible.  
Ensure power cord is properly earthed.  
Check that power cord is not damaged.  
Unplug before opening cover.



**WARNING:**  
Moving parts may injure hands. Unplug before servicing.



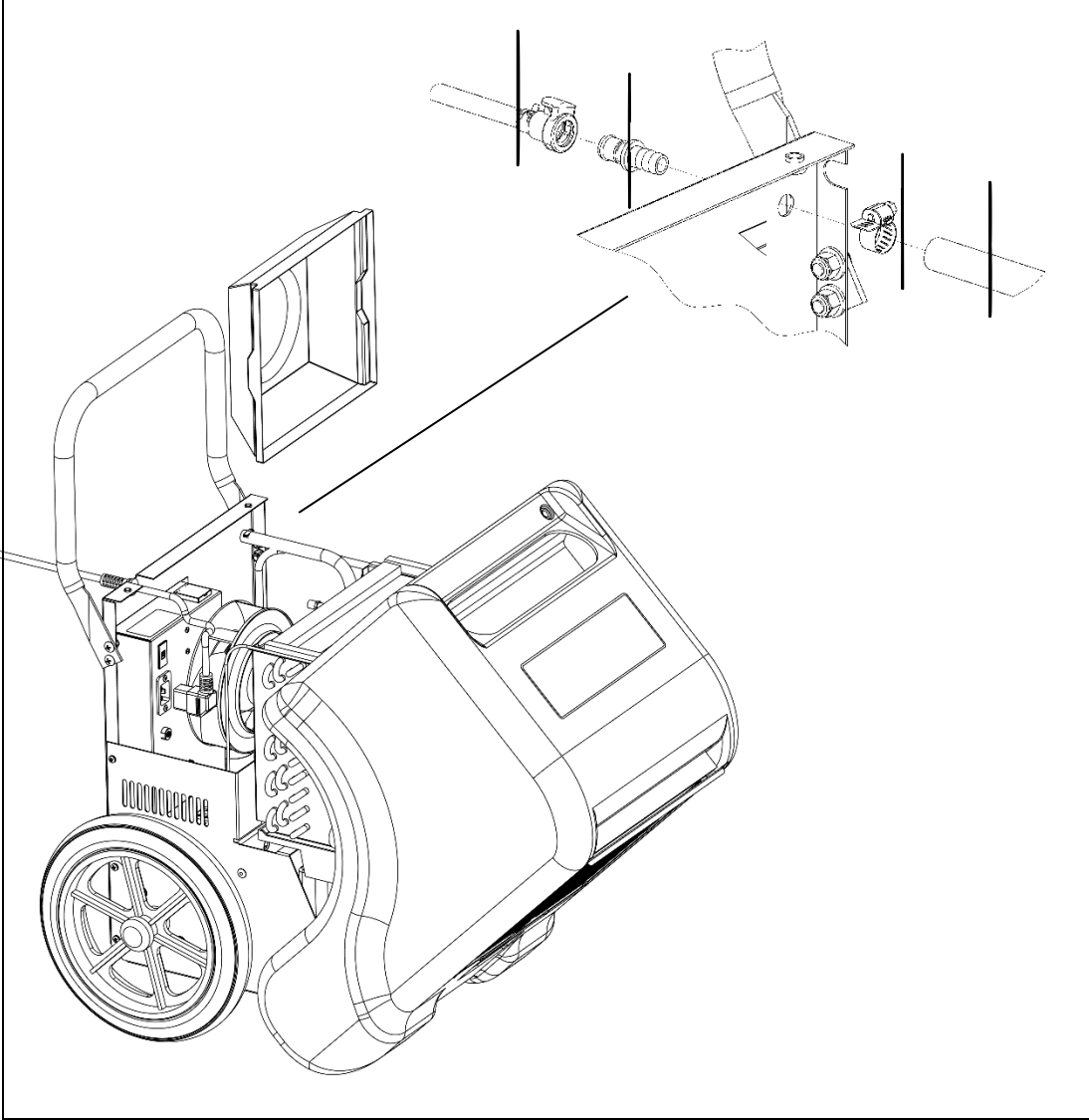
**WARNING:**  
Surfaces may be hot. Allow unit to cool before servicing.



**INITIAL INSTALLATIONS**

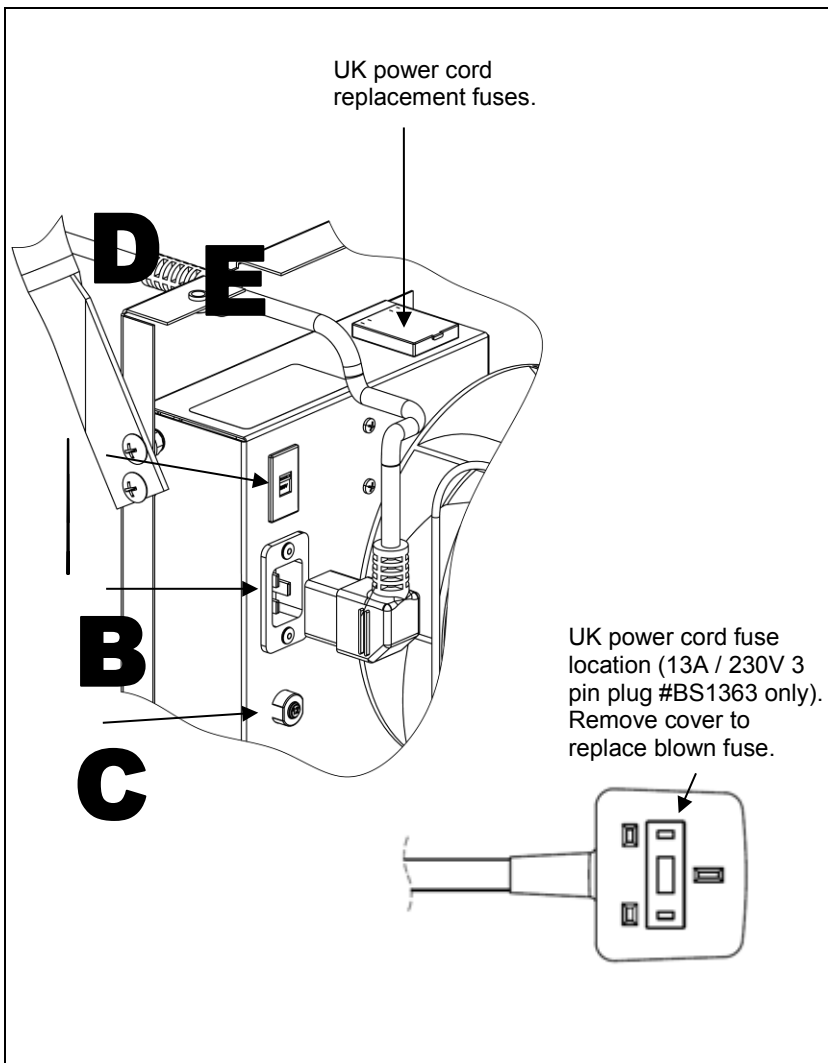
**HANDLE INSTALLATION**

1. Remove 2 screws on top of moulded cover (A).
2. Hinge open front cover (B).
3. Place handle in upright position (C).
4. Secure handle with supplied screws, Nyloc nuts and washers (D) as shown
5. Close cover and replace 2 screws. Tighten fully with a wrench.



**DRAIN HOSE INSTALLATION**

1. After opening the housing, place hose clamp (A) over end of interior drain hose (B) and thread drain hose through hole in rear cabinet wall.
2. Insert nipple (C) into end of drain hose. Tighten hose clamp (A).
3. Exterior drain hose may now be attached to quick-connect (D) for use.



## POWER SETUP

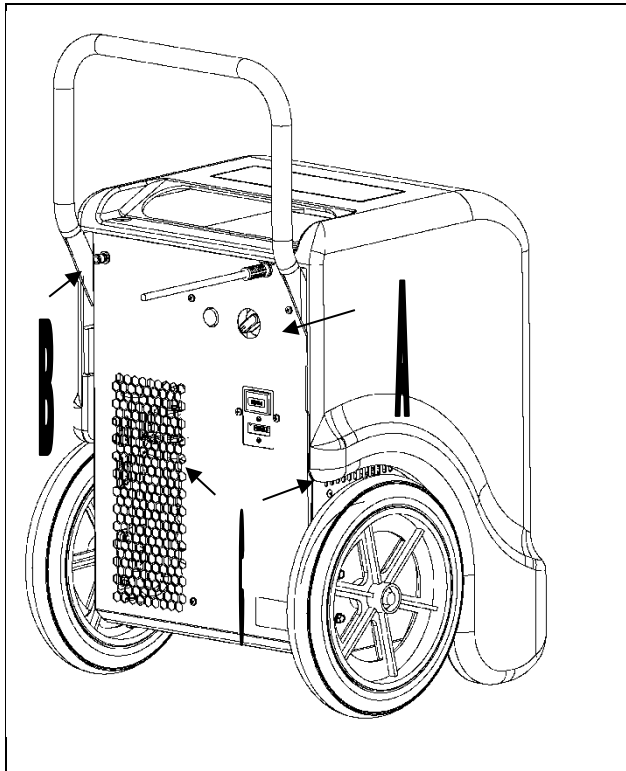
1. Remove 2 screws on top of moulded cover and hinge open.
2. **Voltage selection.** Select 115V or 230V on the VOLTAGE SELECTION switch (A).
3. Plug correctly rated power cord (D) into power receptacle (B). (See p. 7 for available cords.)
4. Slide cable strain relief fitting (E) into cord grip slot in back panel.
5. Check that cable is correctly positioned into outlet slot and close cover. Close cover and replace 2 screws. Tighten fully with a wrench.

### Reset after incorrect voltage selection:

The electrical system is internally protected against incorrect voltage selection. To reset following incorrect connection, disconnect the power cord and press the CIRCUIT BREAKER button (C). Select correct voltage (A) before connecting the power cord.

### Replacement 13 amp Fuses for UK power cord:

If the voltage selection switch is set to 115V and 230V power is supplied to the unit, the breaker may trip and/or the fuse in the UK power cord (left) plug may blow. Replace with spare fuse (stored in spare fuse box) if necessary.

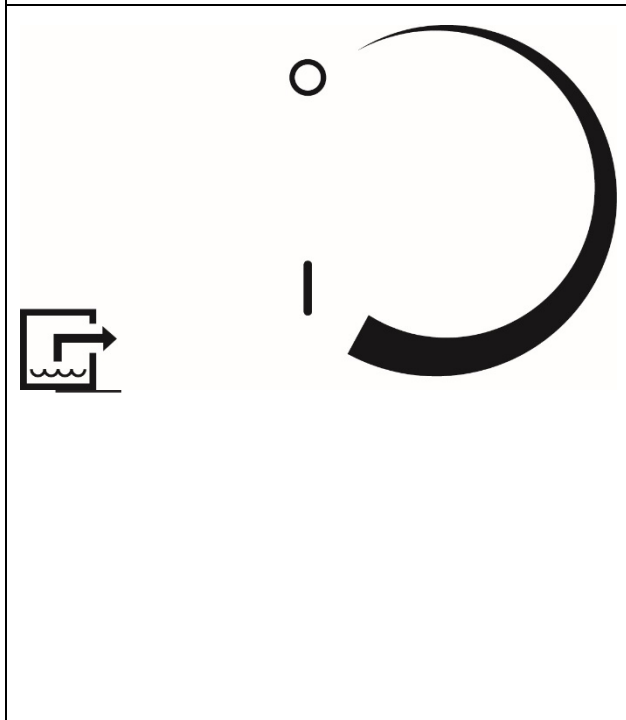


## USER CONTROLS, DRAIN, AND AIR OUTLETS

(A) Control panel (see Control Panel Detail below).

(B) Condensate drain hose connector. Attach hose with quick-connect, then uncoil completely, ensuring there are no kinks or restrictions. Place end in drain or receptacle before operation.

(C) Process air outlets. **IMPORTANT:** Do not block airflow.



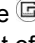
### Control Panel Detail



Purge pump button. Press and hold to purge pump.

#### **IMPORTANT**

**To help prevent drip tray overflow after using the dehumidifier, always purge the unit before moving.**

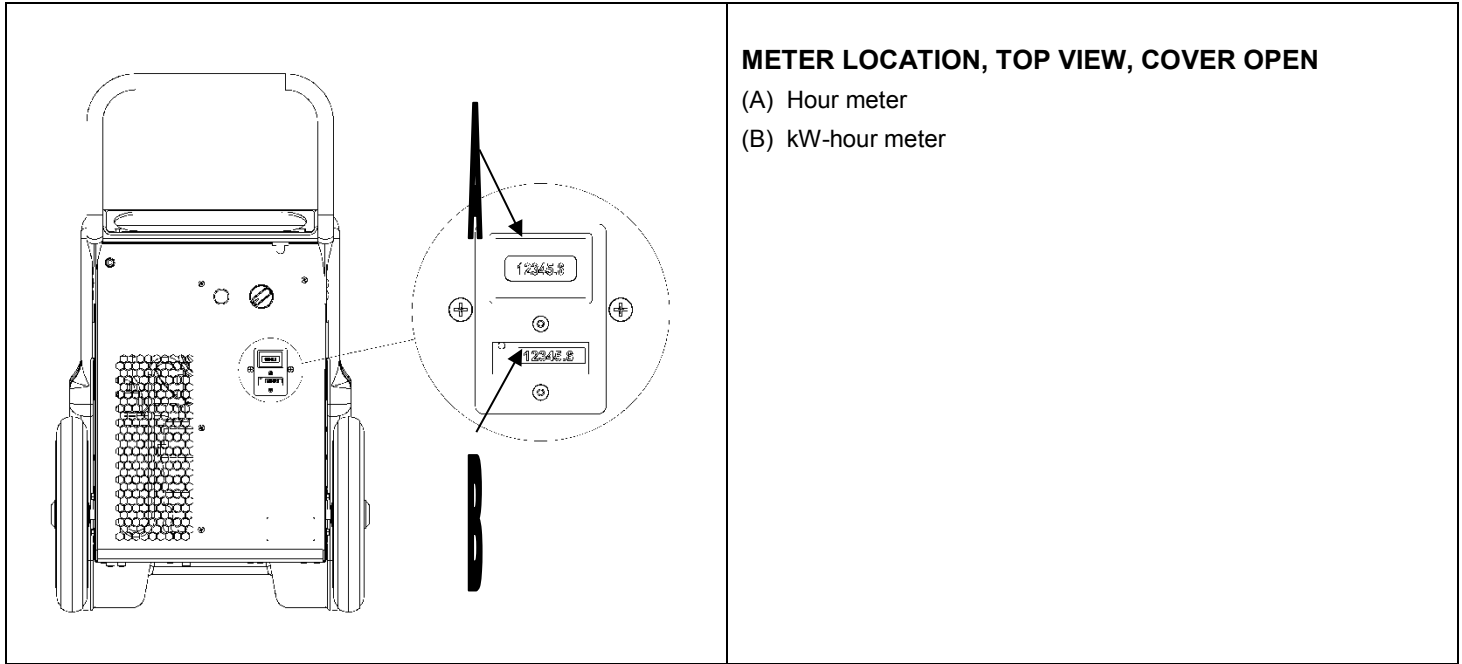
1. Turn the unit off and allow the plugged in dehumidifier to rest for 10 minutes.
2. Press the  PURGE button. Hold until no more water is pumped out of the hose.
3. Remove the dehumidifier promptly from the job site.



Humidity control dial. Set to desired dehumidification level.

○ = Off

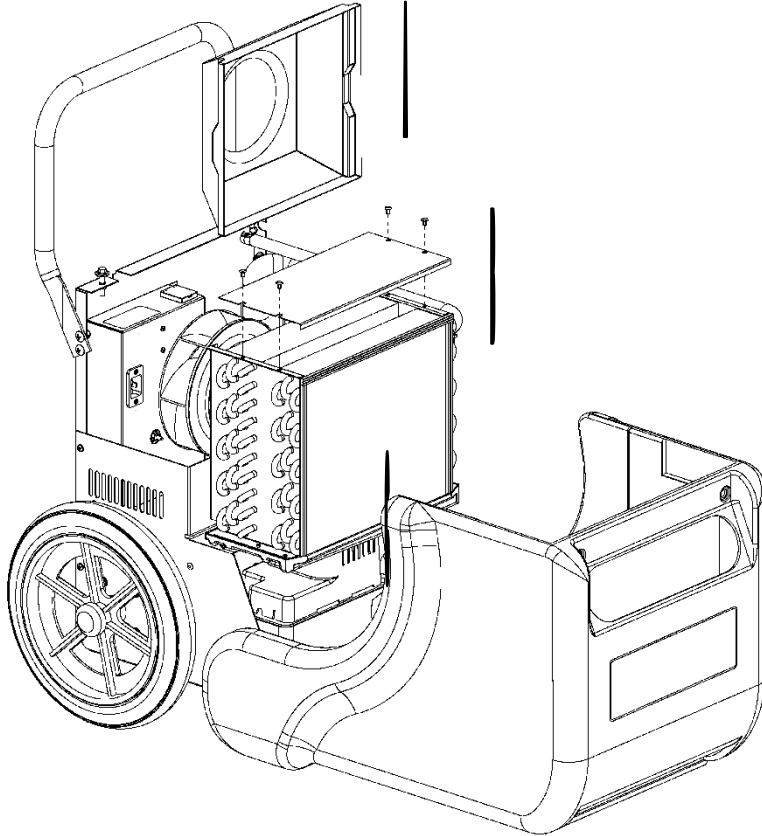
| = Maximum dehumidification



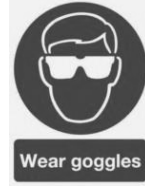
### Storage & Transport

Store the building dryer vertically. If transported horizontally, position dryer in normal operating position and leave in place for 30 minutes to allow refrigerant to recirculate before use.

## CLEANING



### Safety Precautions



**IMPORTANT.** Unplug unit from electrical supply before starting to clean.

### Filter

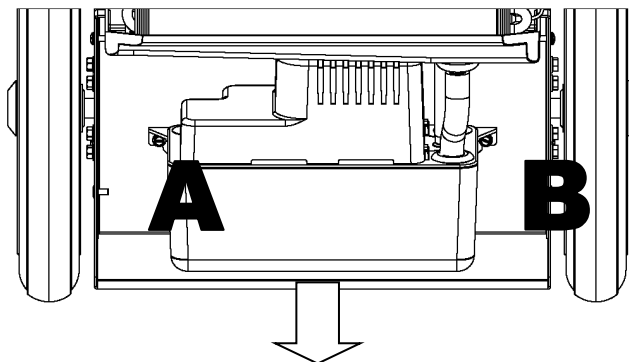
1. Optional 4-PRO filters should be replaced whenever the accumulation of dust or debris is visible.
2. Standard fibreglass and paper filters cannot be cleaned and should be replaced when full.

### External Cleaning

1. Wipe surfaces with damp cloth.

### Internal Cleaning

1. Remove 2 screws on top of moulded cover.
2. Hinge open moulded cover
3. Slide up and remove Fan Shroud (A) for cleaning.
4. Remove four plastic snap rivets from Coil Shroud (B) and lift off shroud. To remove rivets, press up on the center rivet pin underneath the shroud until flanges are released. The rivets may then be lifted out of the shroud and the shroud can be removed.
5. Vacuum coils (C).
6. Clean pumpout. See "Pumpout Cleaning" below.
7. When finished, replace Fan Shroud and Coil Shroud and secure with fasteners. Ensure that the power cable and strain relief is correctly positioned into cable outlet slot on chassis. Hinge the cover closed. Secure cover with 2 screws.



### Pumpout cleaning

1. After opening the housing, remove screws (A) and (B). Remove drain hose from basin cover. 2. Slide pump assembly out and place on firm surface (electrical cable will remain attached). 3. Lift pump off catch tray. Wipe out tray with a clean cloth. 4. Reassemble, slide tray in and reattach with screws. Make sure electrical cable is tucked in neatly above the pump before closing lid.

**NOTICE:** Pump and check valve should be inspected and cleaned after each job or at least once per month.

## Power Cord Options

The following power cord options are available:

13A / 230V 3 pin plug BS1363 to 16A IEC socket. 5 m.  
Part no. F457 (02-01644)

16A / 110V 3 pin plug IEC60309 to 16A IEC socket. 5 m.  
Part no. F456 (02-01641)

Call +44 (0)1908 611211 to order power cords and filters.

## Filter Options

Fibreglass filter (standard): Part no. F459A

4-PRO filter (optional): Part no. F581

Filter dimensions: 296 × 296 × 22 mm

## SERVICE

Legend Brands Holdings, Ltd.

22 Plover Close  
Interchange Park  
Newport Pagnell  
MK16 9PS  
United Kingdom

Tel. +44 (0)1908 611211

Fax. +44 (0)1908 611363

## SPECIFICATIONS

Name	Building Dryer BD1000 Model F435
Dimensions (W × H × D)	50 × 51 × 85 cm
Weight	39 kg
Water removal (AHAM)	25 L/day (27°C/60%RH)
Water removal (Max)	48 L/day (32°C/90%RH)
Water removal (EU standard)	21 L/day (20°C/60%RH)
Water removal (EU standard)	42.6 L/day (30°C/80%RH)
Amperage	6.5A / 110V 3.3A / 230V
Voltage	110V/230V
Frequency	50Hz
Power	0.68 kW / 110V 0.68 kW / 230V
Sound level	73.4 dB (avg.)
Air movement	350 m <sup>3</sup> /hr
Humidistat control	30–100%
Condensate pump	Internal (included)
Condensate pump lift capacity	6.1 m
Operating temperature range	1°– 38°C